



CX NANO

PNEUMATIC POSITIVE and NEGATIVE CALIPER

- ✓ Modularity and flexibility
- ✓ Very compact design
- ✓ High reliability and sensibility with low torques
- ✓ Reduced torque version for highest sensibility
- ✓ Spring applied version for stop-braking
- ✓ Respect for the environment
- ✓ Easy installation



CX NANO Combiflex calipers are particularly designed for applications that require considerable braking torques in very narrow spaces.

The special characteristic of this system is its modularity: one or more calipers can be installed on brake discs PX with different dimensions obtaining the perfect solution for every requirement.

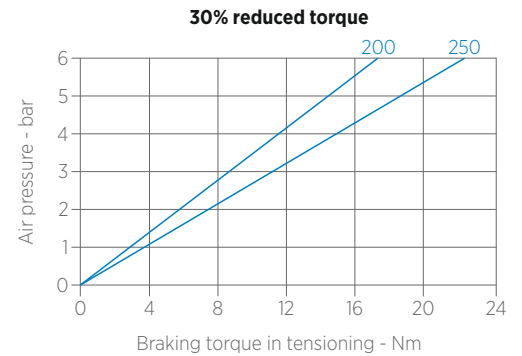
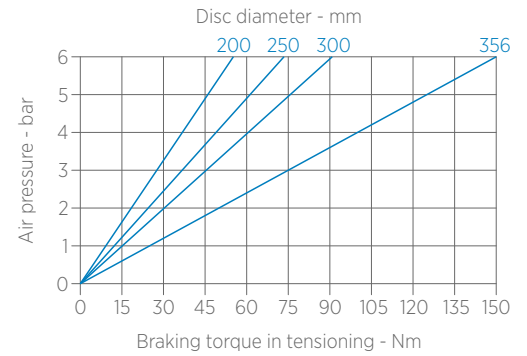
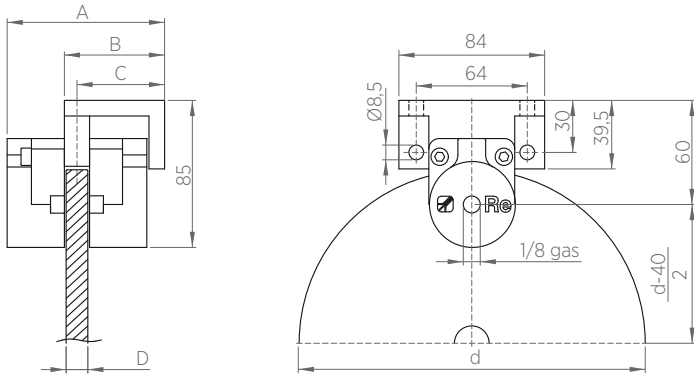
Moreover, each caliper can be activated or deactivated depending on the required torque, giving maximum flexibility when using different kind of materials.

All calipers are provided with absolute asbestos free pads to safeguard the operator's health and the working environment.

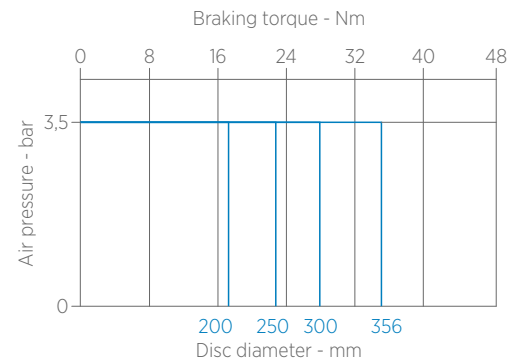
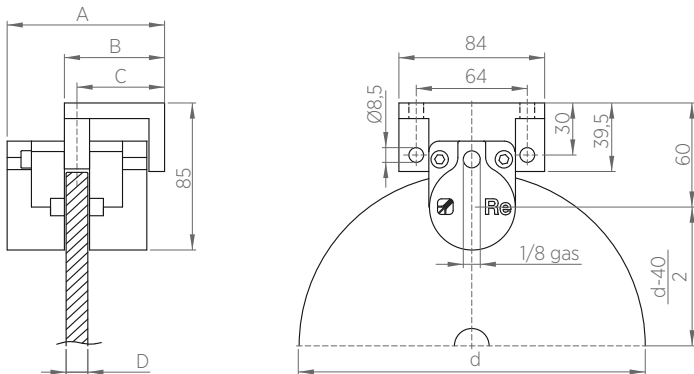
CX NANO calipers are also available with 30% reduced torque, for those applications that require highest sensibility in terms of braking and where the required torque is very low, and the spring applied version, for stop-braking. The percentage value indicates the braking force in comparison with the standard caliper.

Moreover, it is available for 6, 8 or 12 mm thickness of disc and with different kind of brackets for an easy, quick and perfect installation.

TECHNICAL DRAWING AIR APPLIED (positive)



TECHNICAL DRAWING SPRING APPLIED (negative)



TECHNICAL CHARACTERISTICS

	A	B	C	D
Disc 6 mm	84,3	51,3	47,3	6
Disc 8 mm	86,3	53,3	48,3	8
Disc 12,7 mm	90,8	57,8	50,5	12,7

	Air applied (positive)	Spring applied (negative)
Tangential force (F) at 6 bar	max 510 N (205 N 30%)	max 216 N
Max pressure	6 bar	6 bar
Opening pressure (for negative caliper)		3,5 bar
Pad center (Mp)	40 mm	40 mm

*Data are subject to technical change without notice



Re S.p.A.
via Firenze 3
20060 Bussero (MI) Italy

T +39 02 9524301
F +39 02 95038986
E info@re-spa.com

Assistenza tecnica
Technical support
T +39 02 952430.300
E support@re-spa.com

Assistenza commerciale
Sales support
T +39 02 952430.200
E sales@re-spa.com